

1 2 3 4 5 6 7 8

A

A

B

B

C

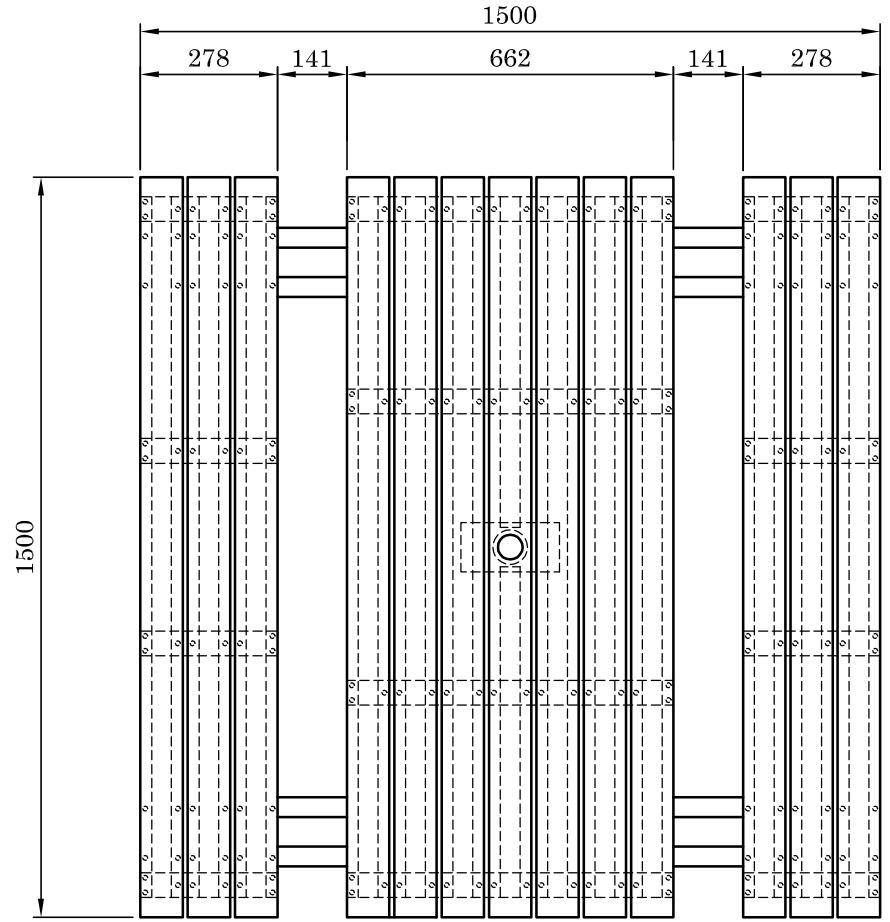
C

D

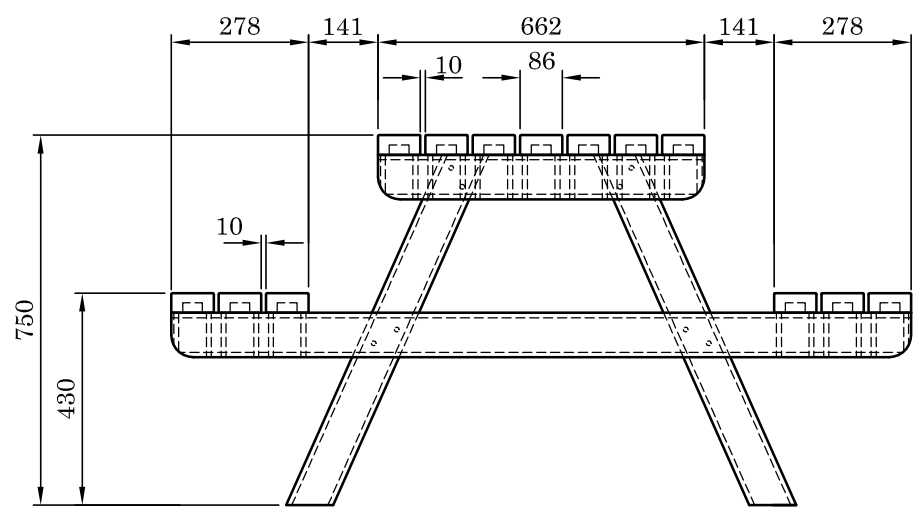
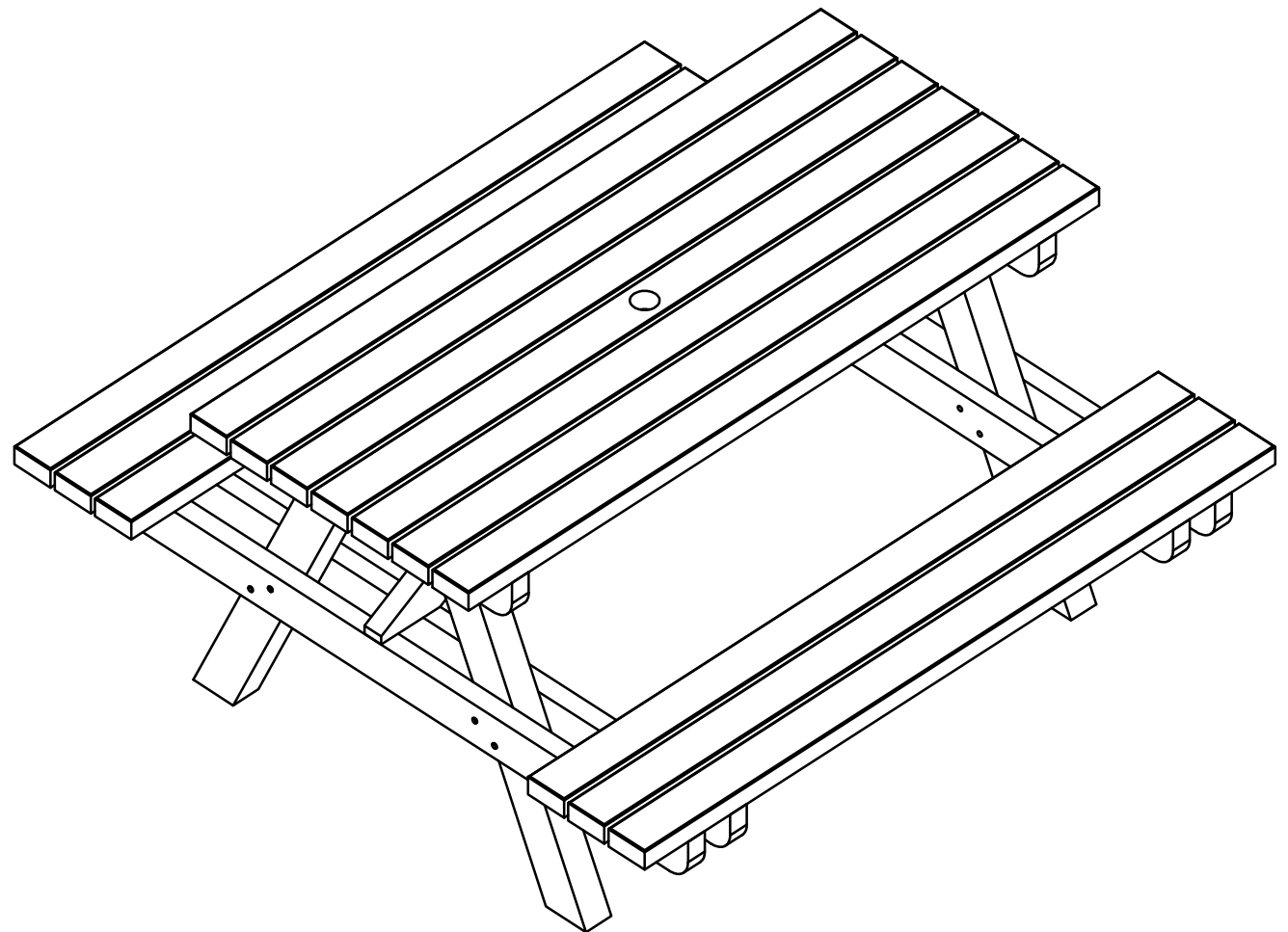
D

E

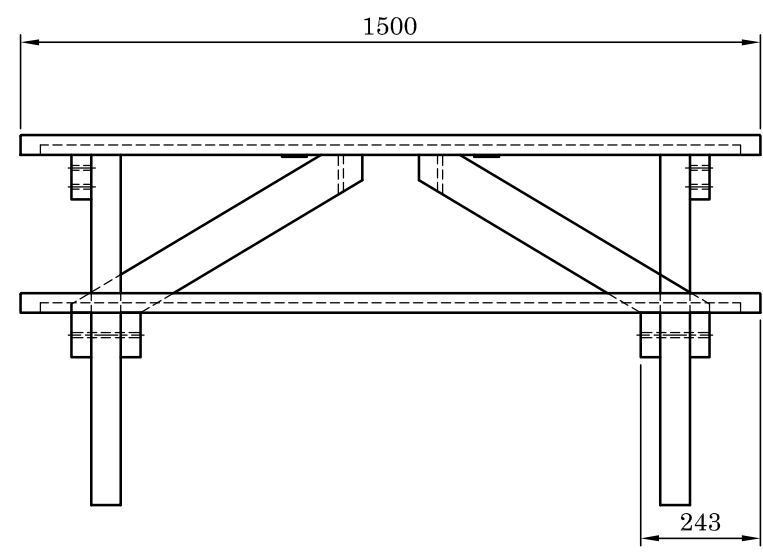
E



TOP VIEW



FRONT VIEW



SIDE VIEW

PARK FURNITURE AUSTRALIA
Eco Sustainable Maintenance Free
WWW.PARKFURNITUREAUSTRALIA.COM.AU

	NAME	SIGN.	DATE	TITLE:			
DRAWN	NAEEM		27/05/20	PFA-113			
CHK'D				DRAWING NO.		SIZE	
APPV'D				1500x1500x750		A3	
MFG					SHEET	UNIT	SCL.
Q.A					1:1	MM	1:15

1 2 3 4 5 6 7 8