

1 2 3 4 5 6 7 8

A

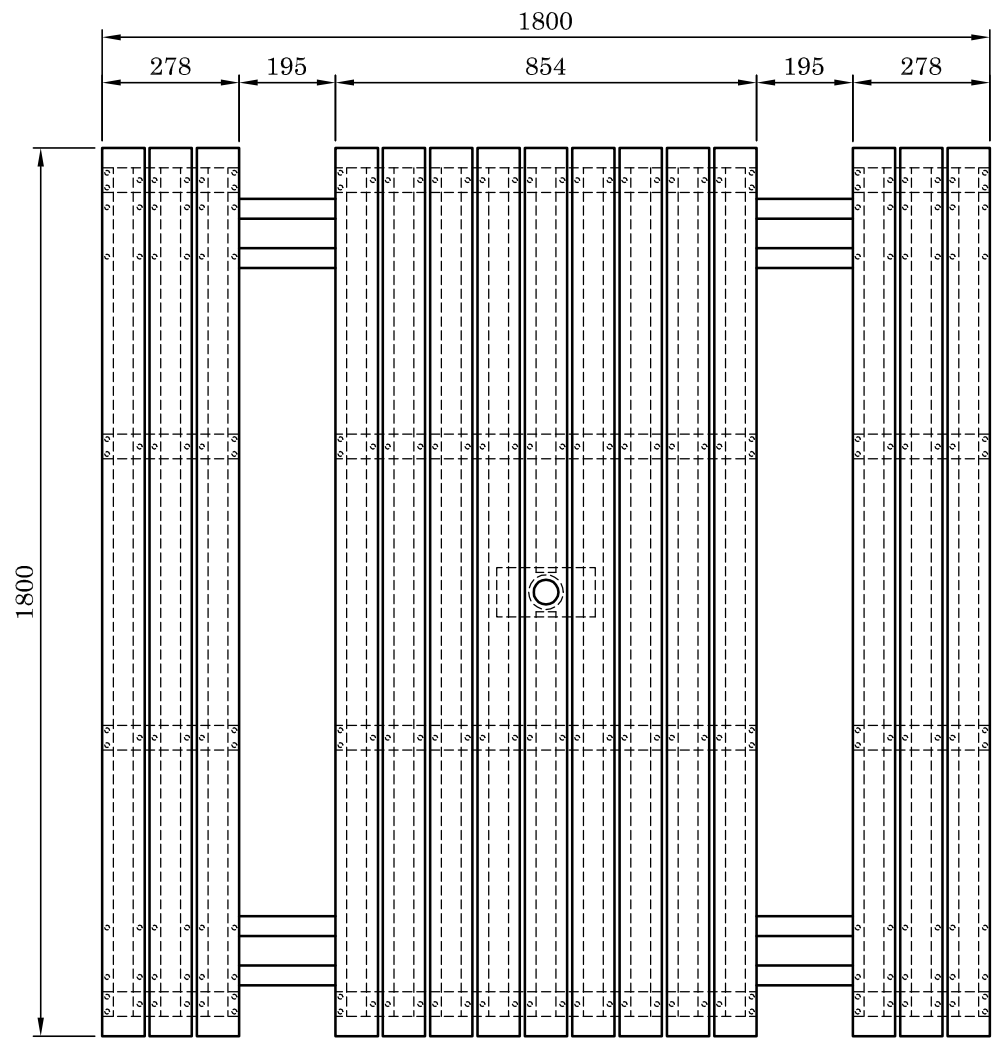
B

C

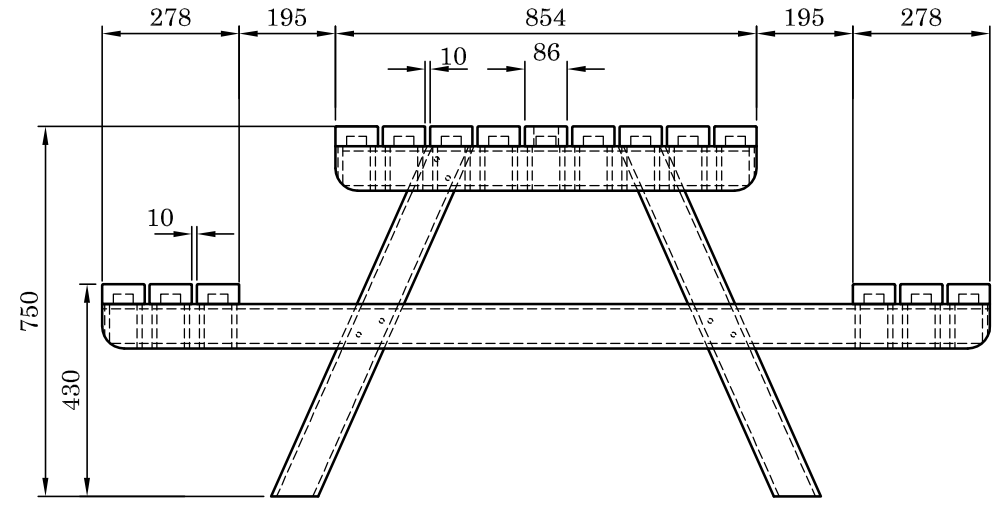
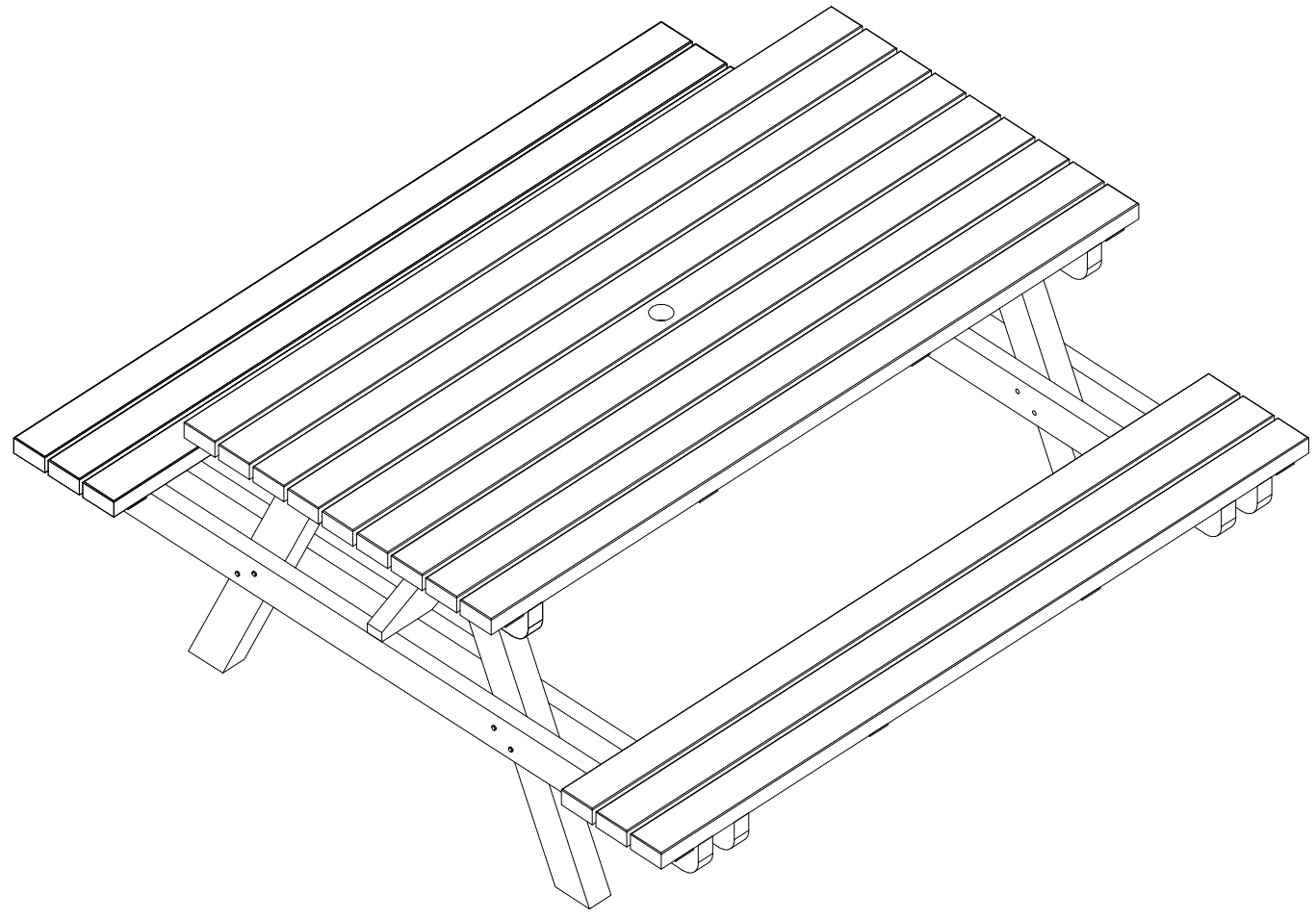
A

B

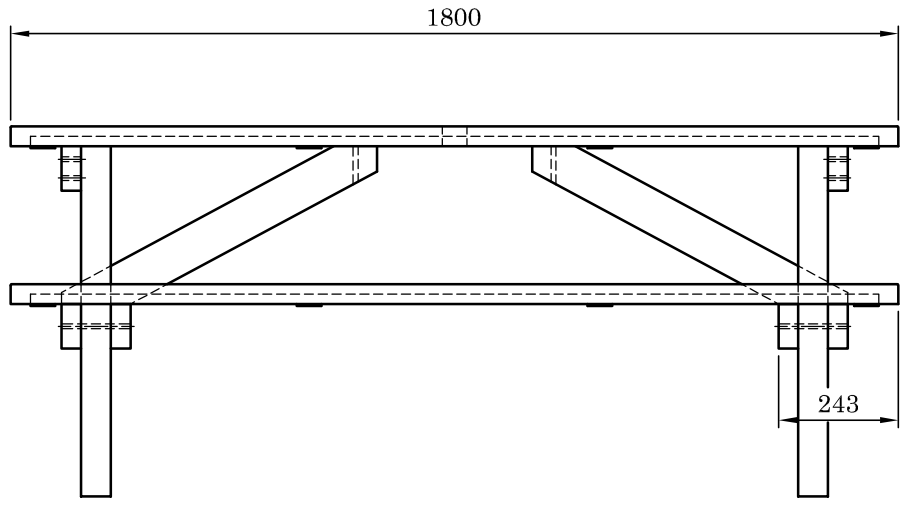
C



TOP VIEW



FRONT VIEW



SIDE VIEW



PARK FURNITURE AUSTRALIA
Eco Sustainable Maintenance Free

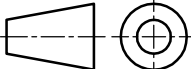
WWW.PARKFURNITUREAUSTRALIA.COM.AU

D

D

E

E

	NAME	SIGN.	DATE	TITLE:			
DRAWN	NAEEM		27/05/20	PFA-113			
CHK'D				DRAWING NO.		SIZE	
APPV'D				1800x1800x750		A3	
MFG					SHEET	UNIT	SCL.
Q.A					1:1	MM	1:15

1 2 3 4 5 6 7 8