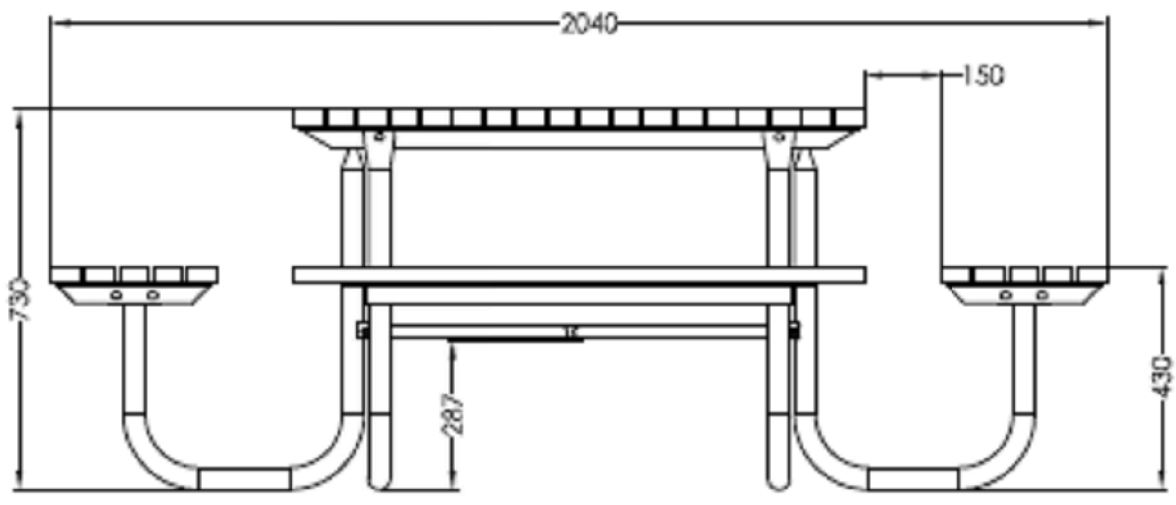


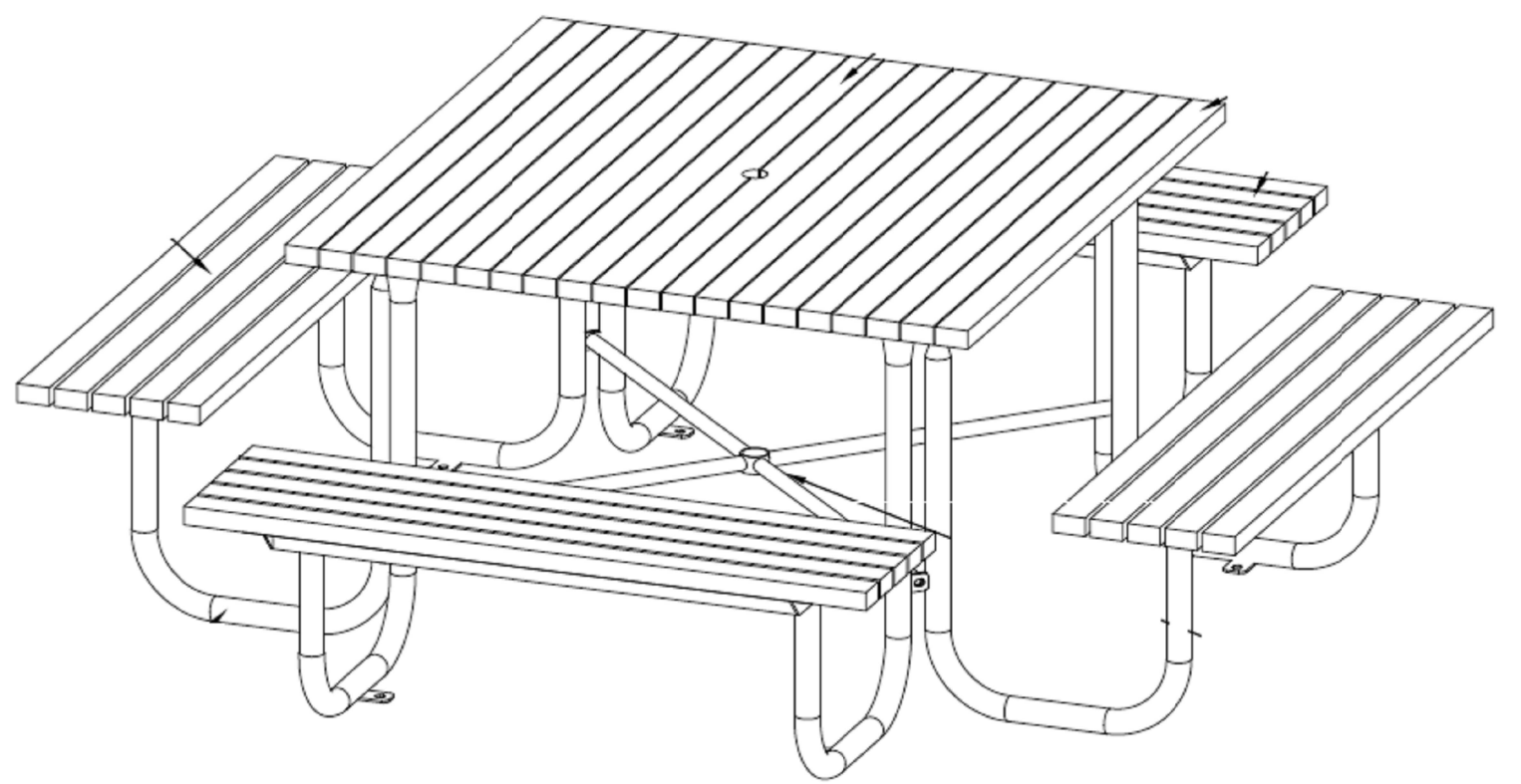
1 2 3 4 5 6 7 8

A



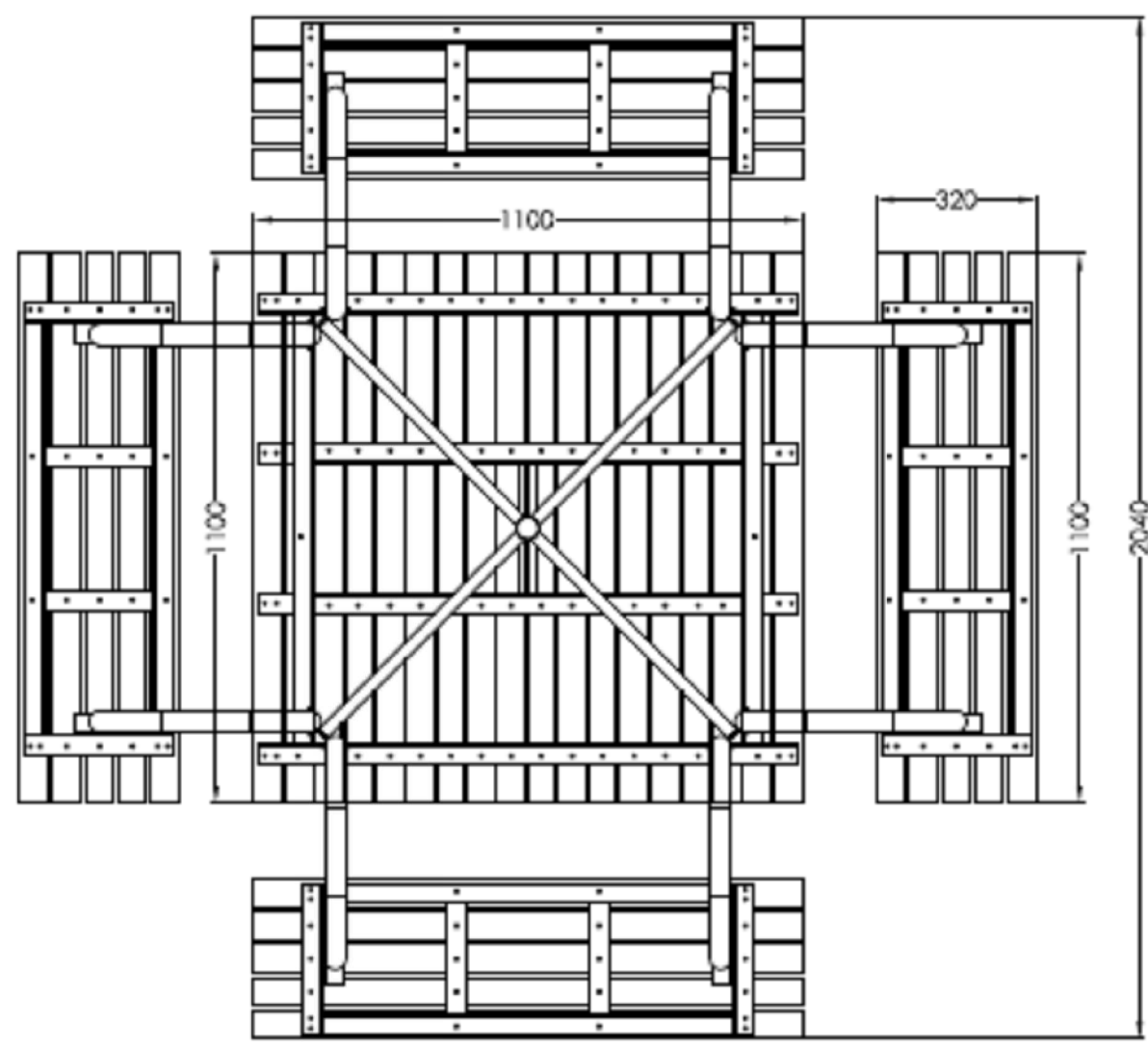
A

B



B

C



C

D

PARK FURNITURE AUSTRALIA
 Eco Sustainable Maintenance Free
WWW.PARKFURNITUREAUSTRALIA.COM.AU

D

E

	NAME	SIGN.	DATE	TITLE:			
DRAWN	NAEEM		27/05/20	PFA-59			
CHK'D				DRAWING NO.		SIZE	
APPV'D				2040x2040x730		A3	
MFG					SHEET	UNIT	SCL.
Q.A					1:1	MM	1:15

E

1 2 3 4 5 6 7 8