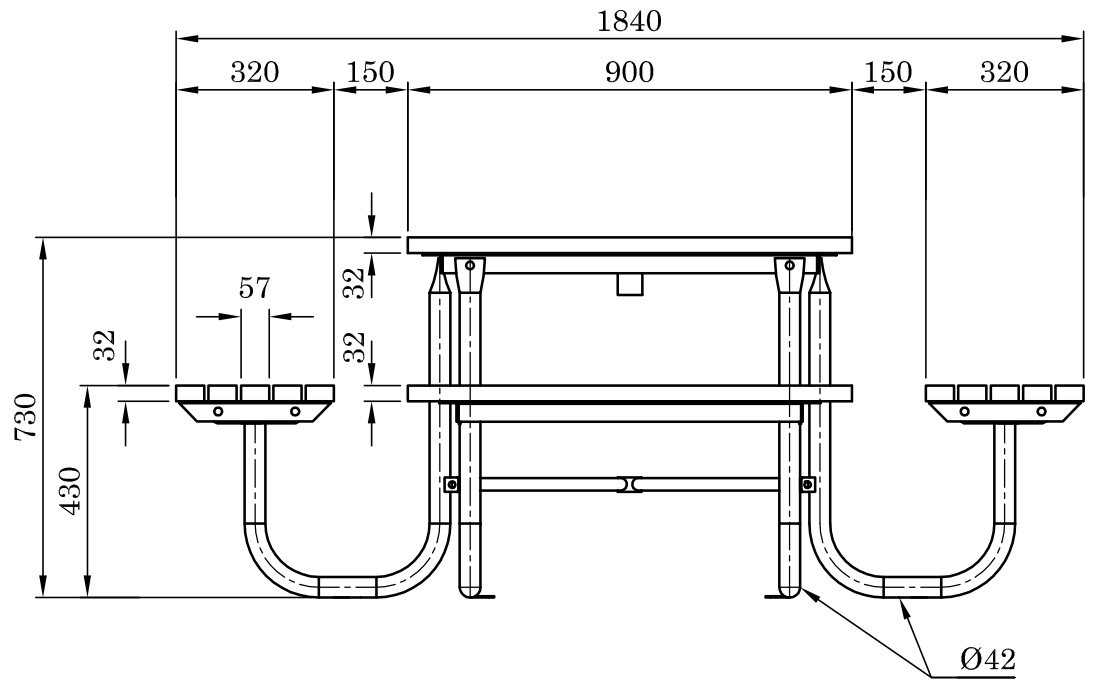
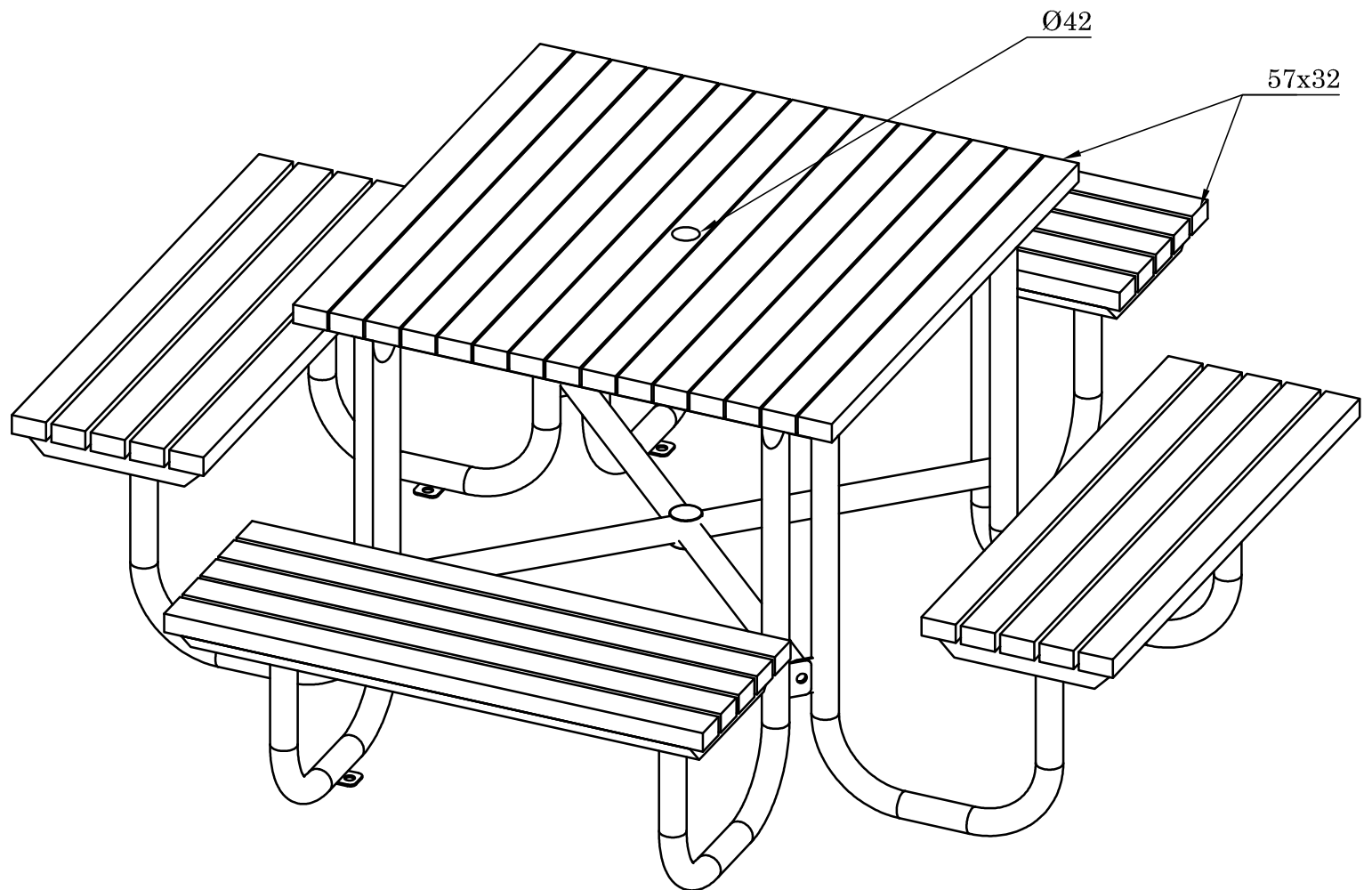


1 2 3 4 5 6 7 8

A



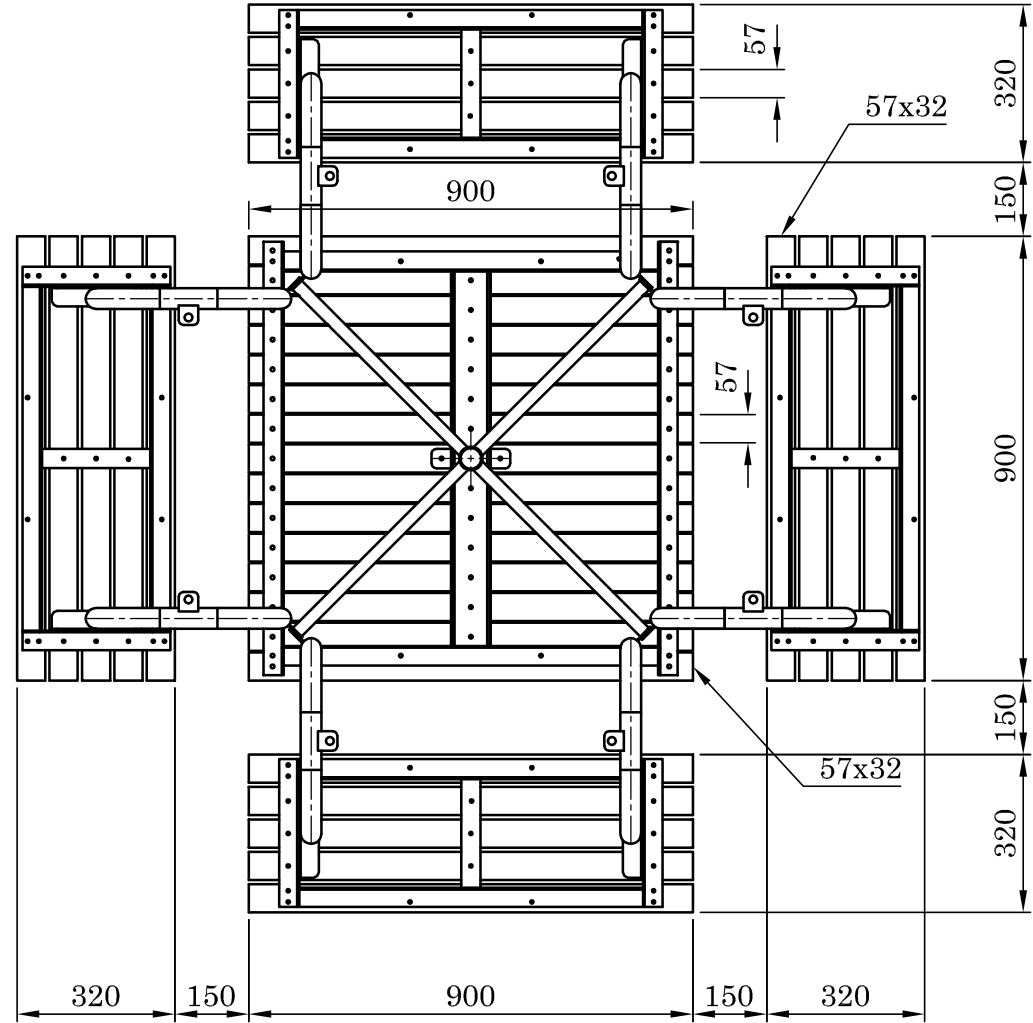
A



B

B

C



C

D



**PARK FURNITURE AUSTRALIA**

Eco Sustainable Maintenance Free

[WWW.PARKFURNITUREAUSTRALIA.COM.AU](http://WWW.PARKFURNITUREAUSTRALIA.COM.AU)

D

E

	NAME	SIGN.	DATE	TITLE:			
DRAWN	NAEEM		03/05/20	PFA-59			
CHK'D				DRAWING NO.		SIZE	
APPV'D				04	A3		
MFG					SHEET	UNIT	SCL.
Q.A					1:1	MM	1:15

E

1 2 3 4 5 6 7 8