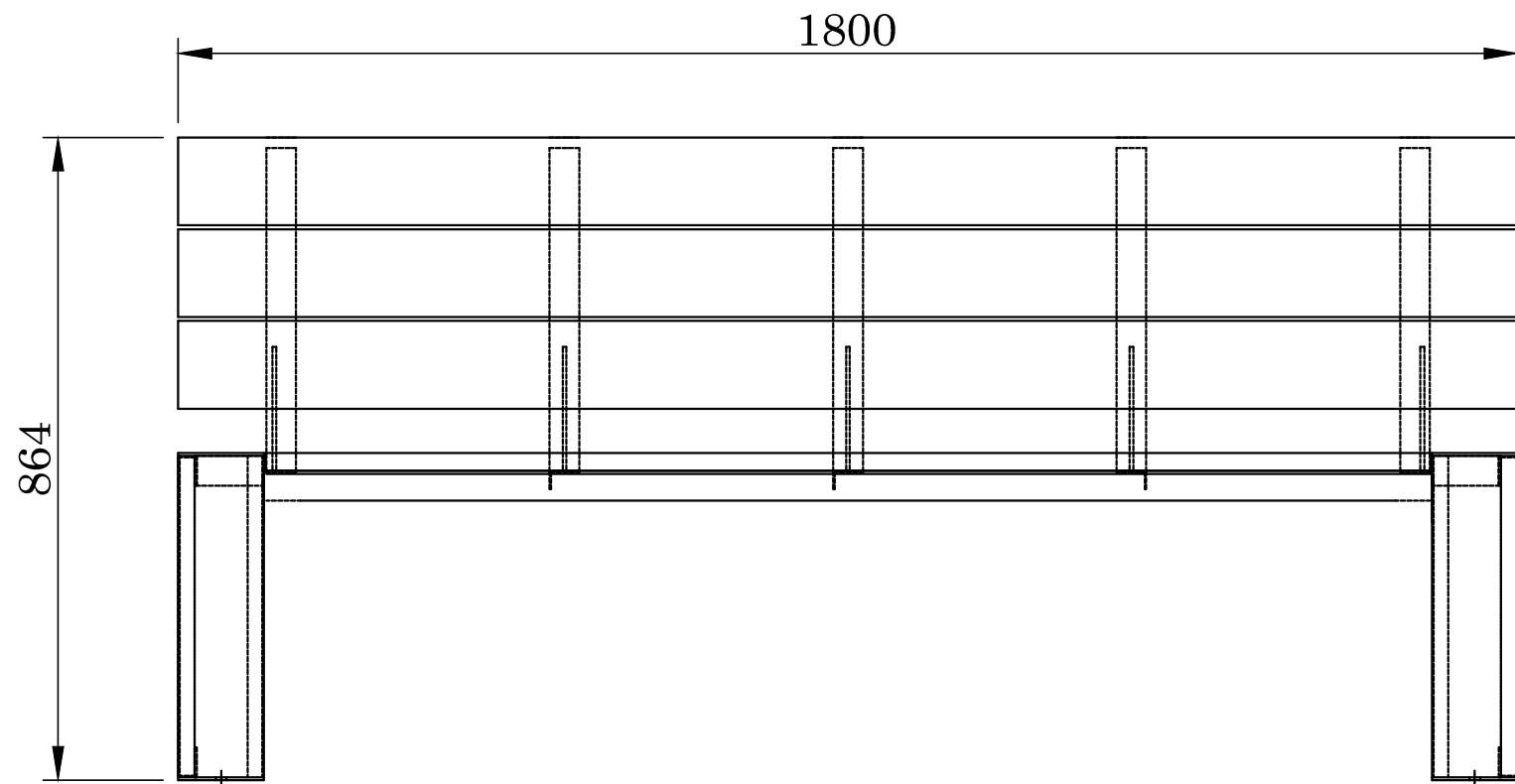
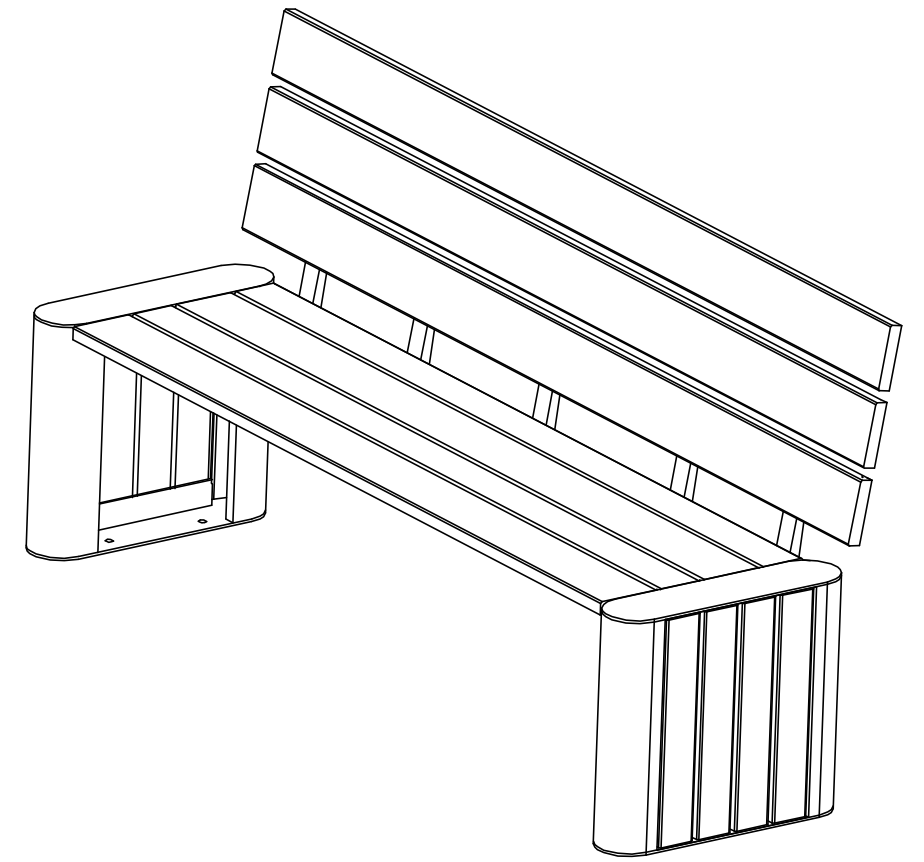
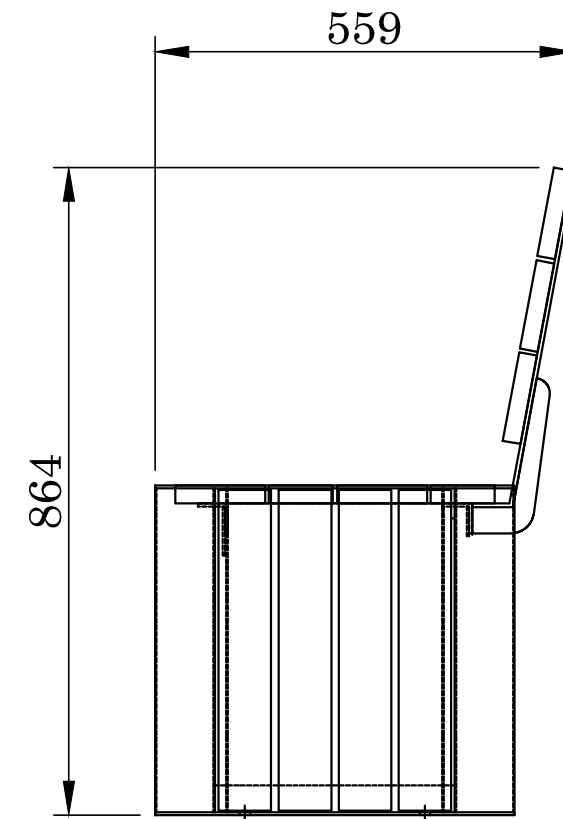


TOP VIEW

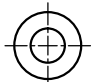
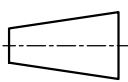


FRONT VIEW



SIDE VIEW



TITLE:				
PFA 66				
DRAWING NO.				SIZE
				A3
 	REV	UNIT	SCL.	
	00	MM	1 : 10	