



**PARK
FURNITURE
AUSTRALIA**

**PFA332
Moogerah**



This stylish Moogerah Cantilever bench is designed with Style and durability in mind. The Moogerah can be fitted with your choice of finish of ECOPLASWOOD, Aluminium, or Timber. This bench is designed for any application which makes it a popular choice amongst Landscape Design and Architects looking for those discerning designs that will give it a sharp edge.



**STRONG &
DURABLE**



**GALVANISED &
POWDERCOAED**



**ECO
SUSTAINABLE**

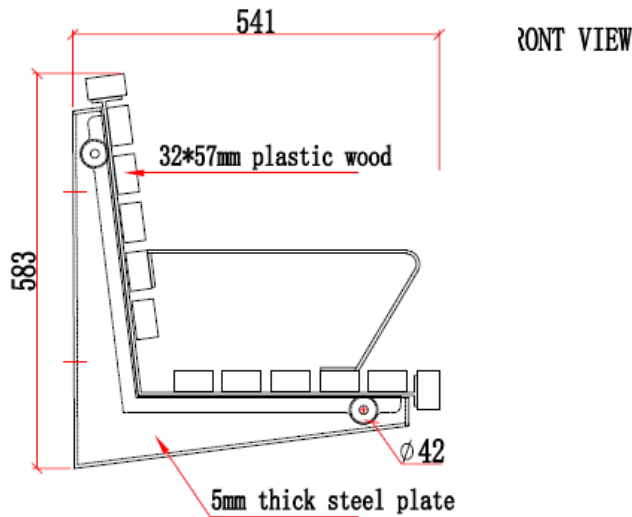
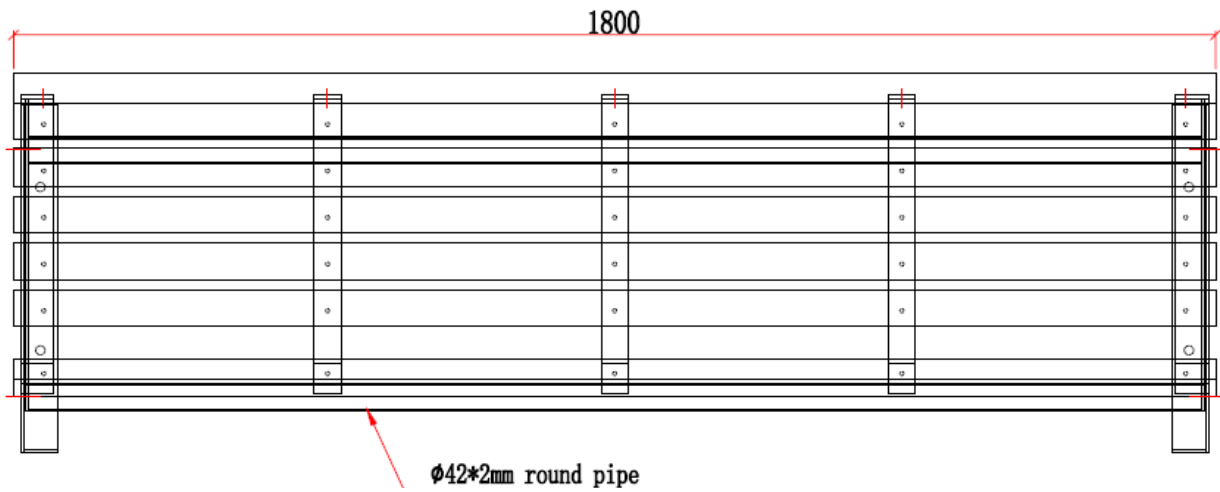


**LOW
MAINTENANCE**



**GREAT FOR
SCHOOLS & PARKS**





SIDE VIEW



Dimensions

1800L x 541W x 583H

Materials

Recycled plastic/Aluminium/timber
Hot dipped galvanised mild steel

Fixings

Wall mounted

Finishes

Ecoplaswood
Galvanised and powder coated frame

Other options

Custom modifications/no armrest

Length

1800 | 2000 | 2400 | custom

Colours available - Slats

Ecoplaswood colours
Aluminium
Timber

Colours available - Frame

Metal sample colours

Park Furniture Australia are proud to actively work towards meeting these sustainable development goals as laid out by the United Nations



**PARK
FURNITURE
AUSTRALIA**

PO Box 277, Capalaba Q 4157

1300 968 124

service@parkfurnitureaustralia.com.au

www.parkfurnitureaustralia.com.au