



**PARK
FURNITURE
AUSTRALIA**

PFA339

Keppel



**STRONG &
DURABLE**



**GALVANISED &
POWDERCOAED**



**ECO
SUSTAINABLE**

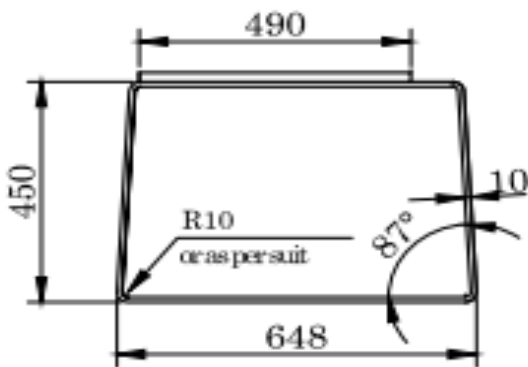
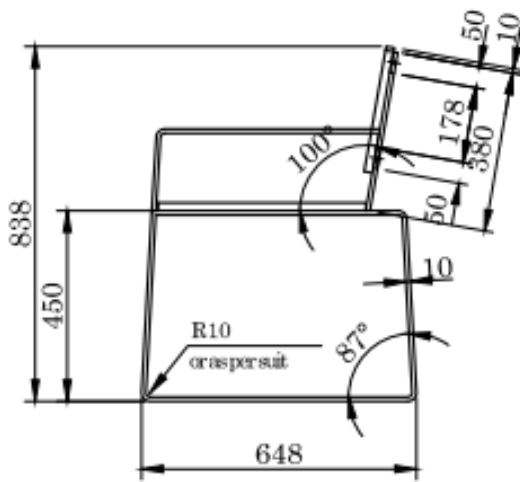
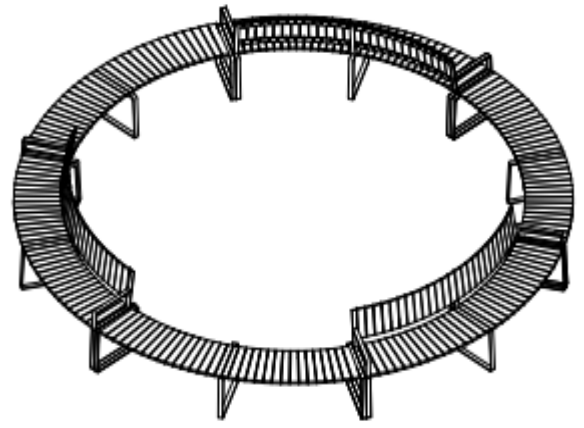


**LOW
MAINTENANCE**



**GREAT FOR
SCHOOLS & PARKS**





Dimensions

CUSTOM x 648W x 450H

Materials

Recycled plastic | Australian sustainable hardwood | Hot dipped galvanised mild steel | 304 Stainless Steel

Fixings

Surface mounted

Finishes

Ecoplaswood
Galvanised and powder coated frame

Other options

Custom modifications
no armrest

Length

1800 | 2000 | 2400 | custom

Colours available - Frame

Dulux powder coat colours



**PARK
FURNITURE
AUSTRALIA**

PO Box 277, Capalaba Q 4157

1300 968 124

service@parkfurnitureaustralia.com.au

www.parkfurnitureaustralia.com.au